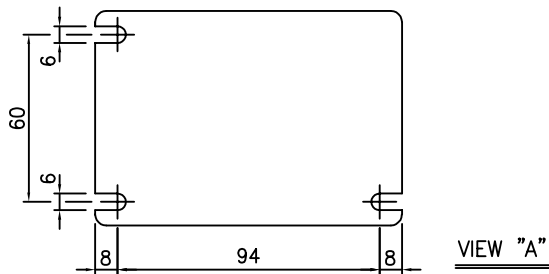


PUMP MODEL	DIMENSIONS (UNIT:mm)					WEIGHT(kg)
	A	B	C	D	E	
AX1-21-P□□	156	49.5	185	198	∅6X∅11	3.4
AX1-21-F□□	178	49.5	185	209	∅10X∅12	3.6
AX1-51-P□□	156	49.5	185	198	∅6X∅11	3.4
AX1-51-F□□	178	49.5	185	209	∅10X∅12	3.6
AX1-12-P□□	156	49.5	185	198	∅6X∅11	3.4
AX1-12-F□□	178	49.5	185	209	∅10X∅12	3.6
AX1-32-P□□	156	48.5	185	198	∅6X∅11	3.4
AX1-32-F□□	178	48.5	185	209	∅10X∅12	3.6

NOTE

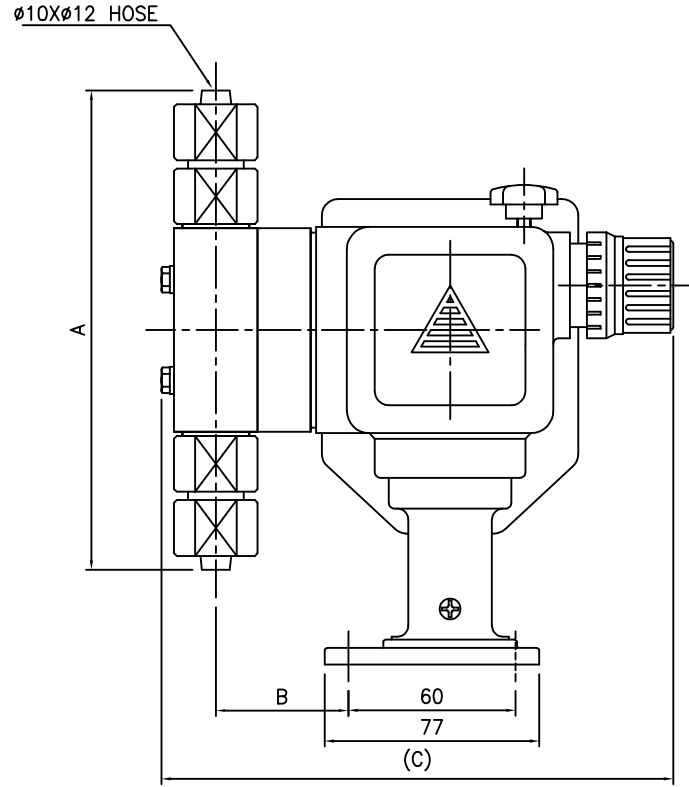
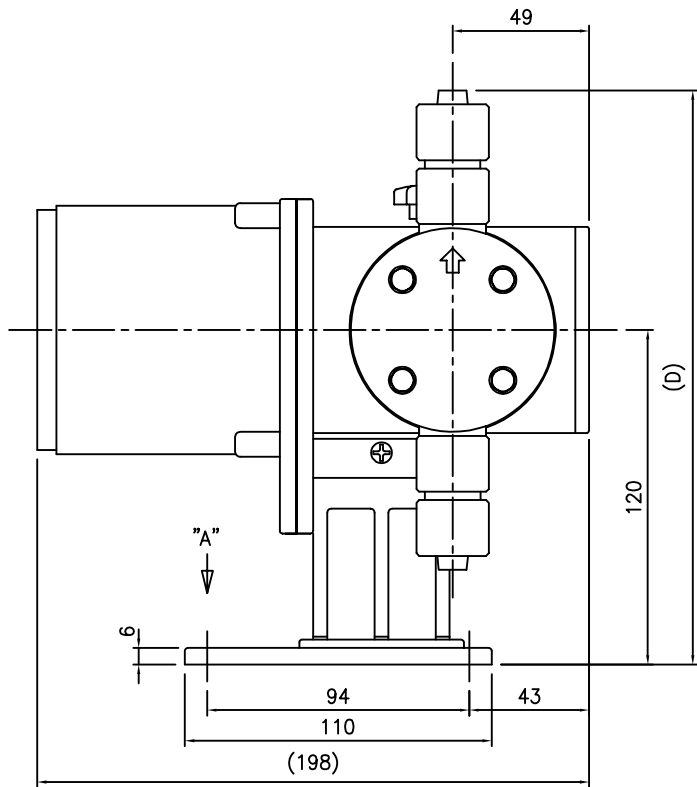
1. HIGH VISCOSITY TYPE A:178, D:209, E:∅12X∅18



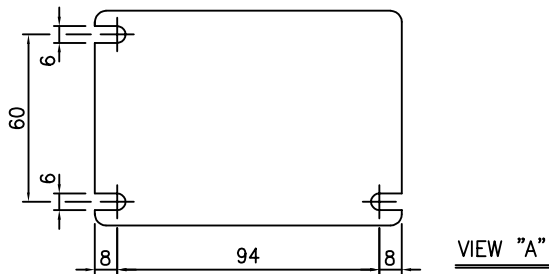
PUMP SPECIFICATIONS (50Hz/60Hz)				
PUMP MODEL	AX1-21	AX1-51	AX1-12	AX1-32
MAXIMUM CAPACITY (ml/min)	20 / 25	40 / 50	90 / 110	300 / 360
MAX.DIS.PRESSURE (kgf/cm ² G)	15	15	10	5
STROKE PER MINUTE (SPM)	57 / 68	114 / 136	114 / 136	114 / 136
MOTOR TYPE	Totally Enclosed Non-Ventilated			
POWER (W)	25			

ITEM NO	NO.	DESCRIPTION	SIZE	MAT'L	Q'TY	REMARK
	MAT'L	MAT'L DIM	WEIGHT	SCALE N/S(0.5)		
	FILE NAME	A1ZPH-01	제출 TITLE	OUTLINE DRAWING		
	APPROVED		AX1-21~32-Z PUMP(HOSE TYPE)			
	CHECKED		DWG NO 141101			
	DESIGNED					
	DRAWN					
STORAGE NO.						
ORG.DWG						

천세산업 주식회사
CHEON SEI IND. CO.,LTD.



PUMP MODEL	DIMENSIONS (UNIT:mm)				WEIGHT(kg)
	A	B	C	D	
AX1-21-S□□	172	47.5	184	206	4.6
AX1-21-6□□					
AX1-51-S□□	172	47.5	184	206	4.6
AX1-51-6□□					
AX1-12-S□□	172	47.5	184	206	4.6
AX1-12-6□□					
AX1-32-S□□	172	48.5	186	206	4.6
AX1-32-6□□					



PUMP SPECIFICATIONS (50Hz/60Hz)				
PUMP MODEL	AX1-21	AX1-51	AX1-12	AX1-32
MAXIMUM CAPACITY (ml/min)	20 / 25	40 / 50	90 / 110	300 / 360
MAX.DIS.PRESSURE (kgf/cm ² G)	15	15	10	5
STROKE PER MINUTE (SPM)	57 / 68	114 / 136	114 / 136	114 / 136
MOTOR TYPE	Totally Enclosed Non-Ventilated			
POWER (W)	25			

ITEM NO	NO.	DESCRIPTION	SIZE	MAT'L	Q'TY	REMARK
	MAT'L	MAT'L DIM	WEIGHT	SCALE N/S(0.5)		
	FILE NAME	A1ZSH-01	TITLE OUTLINE DRAWING			
	APPROVED		AX1-21~32-Z PUMP(HOSE TYPE)			
	CHECKED		DWG NO 141151			
	DESIGNED					
	DRAWN					
	STORAGE NO.					
	ORG.DWG					

천세산업 주식회사
CHEON SEI IND. CO.,LTD.